

Maintain line pressure for purified water lines

APPLICATION C156

Type of Company: [Pharmaceutical Company](#)

Location: [Illinois](#)

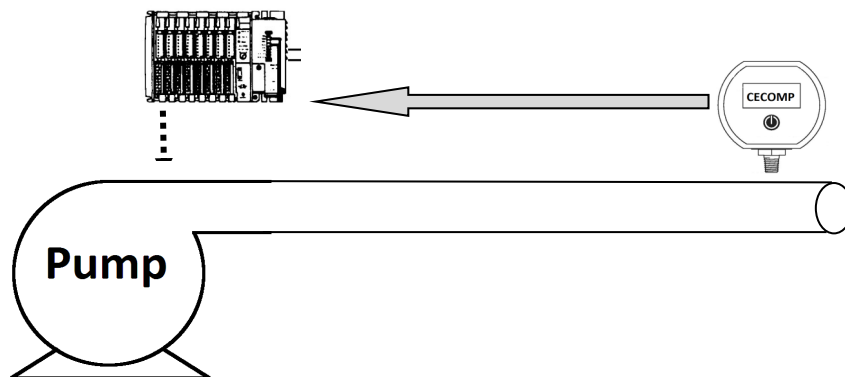
Water purification is the process of removing undesirable chemicals, biological contaminants, suspended solids and gases from contaminated water for a specific purpose. Pharmaceutical companies that produce drugs and chemicals typically use purified water throughout the plant during the production process and proper water pressure under varying water system loads must be maintained.



Photo by Cjp24 from Wikimedia Commons

The Engineering Issue

- The engineer has a requirement to monitor and control the water line pressure to determine activation of the water pumps
- The building automation system (BAS) requires a 4-20 mA signal input signal and the technician needs a local display



The engineer used a Cecomps DSGL1 which is mounted on a 1" tri-clamp sanitary fitting. This provides a visual indication of the water pressure in the lines and a 4-20 mA signal to send to the Building Automation System (BAS) to control the water pumps in order to maintain the proper line pressure under varying water system loads.

Problem. Solved.

