

# CECOMP Digital Pressure and Vacuum Gauges

cecomp.com

## Performance Under Pressure!

- 1 Year Warranty
- ±0.25% or ±0.1% Accuracy
- 316L SS Sensor
- Gauge or Absolute Reference
- Vacuum to 5000 PSI
- Compound and Bipolar Ranges
- Most Engineering Units
- Free Application & Technical Assistance
- NIST Traceable Certification Available
- Factory Service and Calibration



## Applications

- Gas Pipeline Pressures
- Aircraft Service
- Auto Racing
- Food Production
- Tank Level
- Pump Pressures
- Leak Down and Hydrostatic Testing
- Compressed Air Monitoring
- Vacuum Pump Monitoring
- Local Display Plus Analog Input to PLC



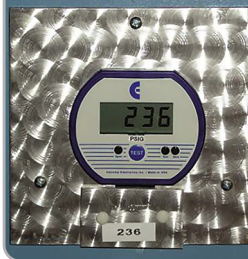
## Battery Powered



- Rugged for Portable Use
- Auto Racing Tire Pressure
- Memory Options
- 20 Models to Fit Your Needs
- Long Battery Life



## Loop Powered and 4-Wire Transmitters



- 2-Wire 4-20 mA Xmtr
- 2-Wire 4-20 mA Xmtr with Power-Off Display Backup
- 4-Wire 4-20 mA Output
- 4-Wire 0-2 V Output



## Battery Powered Intrinsically Safe



- Battery Powered Test Gauge
- Class I, Div 1, Gr A, B, C, D
- Gas Pipeline Pressures
- Aircraft Service



## Pressure Alarms



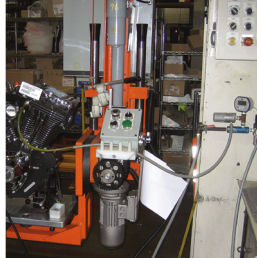
- Dual SPDT Relays
- User Programmable
- Alarm Status Indicators
- Optional Analog Output



## Low Voltage Powered



- Permanent Installations
- Operate 24/7 or Use On/Off Button
- 8-24 VAC or 9-32 VDC
- 760 Torr Absolute Model for Vacuum Systems



## ThermoPro® Temperature



- 100 Ohm RTD
- 58.0°F to 392.0°F
- 50.0°C to 200.0°C
- 2.5" to 12" Probe Lengths
- Battery Models
- Loop Powered Transmitters
- Alarm Models



## Current Sensors and Switches



- AC and DC Transmitters
- AC and DC Switches
- Models for 5 A to 2000 A
- 4-20 mA or 0-10 V Output
- SSR or Mechanical Relays
- Motor Current Monitoring
- Battery Monitoring
- Electric Heater Current
- Lighting System Current
- Pump Monitoring
- Current Alarms



## Absolute Process Instruments Inc.

1220 American Way  
Libertyville, IL 60048  
api-usa.com    cecomp.com



# Process Signal Problem Solvers



## Transmit Alarm

## Isolate Convert

## Split Rescale

### Signal Conditioners Are Our Business!

Variable intensity I/O LoopTracker® LEDs\*

Output test push button\*

Factory ranged or easy-to-set switches

No computer for setup

Free application assistance

Free technical information

We are an application driven company!

Factory service and calibration

Fast delivery

\*Most models

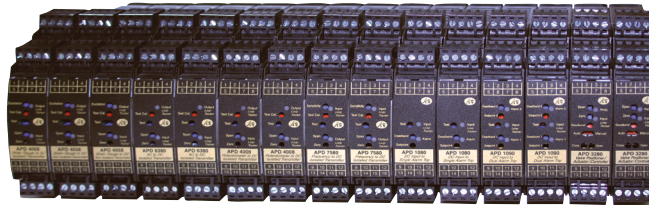


See datasheets for applicable models



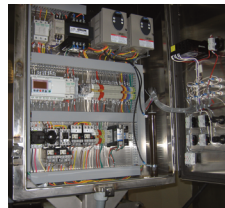
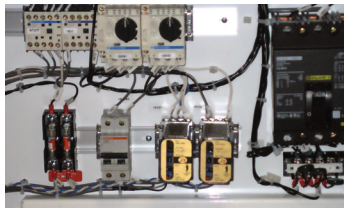
See datasheets for applicable models

### APD Series DIN Signal Conditioners and Alarms: [api-usa.com/apd](http://api-usa.com/apd)



Universal Input	<a href="http://api-usa.com/8000">api-usa.com/8000</a>
T/C Splitters/Converters	<a href="http://api-usa.com/tc">api-usa.com/tc</a>
DuoPak® 2 Channel I/O	<a href="http://api-usa.com/duopak">api-usa.com/duopak</a>
IsoSplitter® Signal Splitters	<a href="http://api-usa.com/splitter">api-usa.com/splitter</a>
DC Input	<a href="http://api-usa.com/dc">api-usa.com/dc</a>
DC Input Math/Logic	<a href="http://api-usa.com/math">api-usa.com/math</a>
AC Input	<a href="http://api-usa.com/ac">api-usa.com/ac</a>
Potentiometer Input	<a href="http://api-usa.com/pot">api-usa.com/pot</a>
Frequency I/O	<a href="http://api-usa.com/freq">api-usa.com/freq</a>
Load Cell, Strain Gauge	<a href="http://api-usa.com/strain">api-usa.com/strain</a>
Thermocouple Input	<a href="http://api-usa.com/tc">api-usa.com/tc</a>
RTD Input	<a href="http://api-usa.com/rtd">api-usa.com/rtd</a>
Valve Position	<a href="http://api-usa.com/valve">api-usa.com/valve</a>

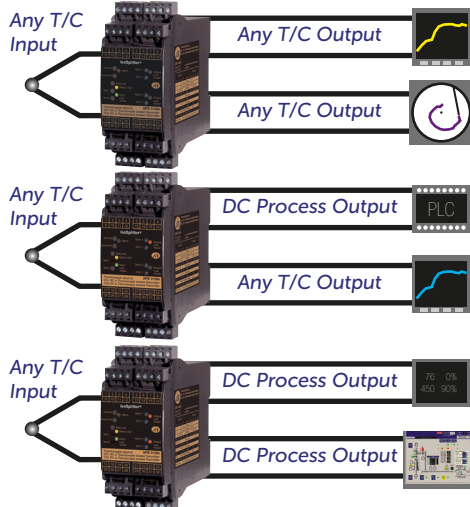
### API Series Plug-In Signal Conditioners and Alarms: [api-usa.com/api](http://api-usa.com/api)



### Thermocouple Input Dual Output Splitters

#### APD 41390 Series

- ✓ Split or Convert a T/C to Any Two T/C Types
- ✓ Add Additional Isolated Output to Existing T/C
- ✓ Solve Thermocouple and Instrument Mismatches
- ✓ 13 T/C Types
- ✓ 13 T/C Output Types
- ✓ Zero and Span Output Calibration
- ✓ Sink/Source DC Output(s)
- ✓ 8 A Alarm Relay Option



### Micro-Based Signal Transmitters

#### APD Series

- ✓ Field Rangeable Models
- ✓ Universal I/O Models
- ✓ Factory Ranged Models
- ✓ 13 T/C Types
- ✓ 15 RTD Types
- ✓ 7 Thermistor Types
- ✓ DC: mV, V, mA
- ✓ Potentiometers
- ✓ No Computer For Setup
- ✓ Pushbutton Output Calibration
- ✓ Sink/Source Output

